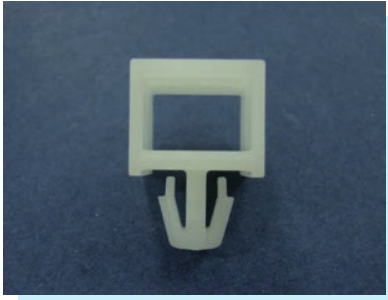
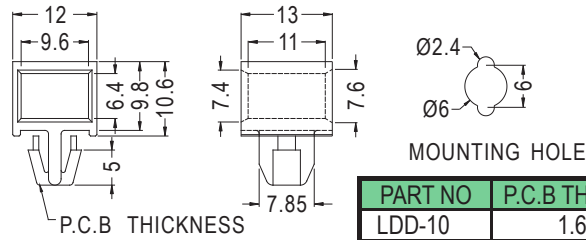


PC SPACER SUPPORT

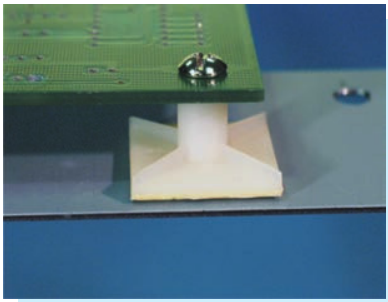


MATERIAL: NYLON 66 (UL)
 FLAME CLASS :94V-2
 COLOR:NATURAL
 UNIT:mm

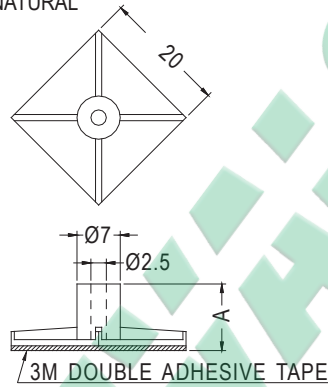


PART NO	P.C.B THICKNESS	PACKAGE
LDD-10	1.6~1.8	500
LDD-10(2)	1.8~2.0	

PC SPACER SUPPORT

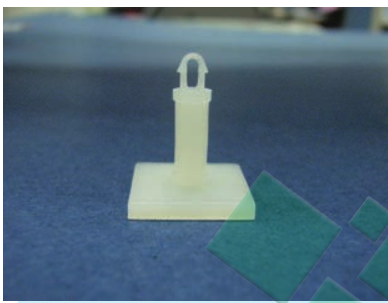


MATERIAL: NYLON 66 (UL)
 FLAME CLASS :94V-2
 COLOR:NATURAL
 UNIT:mm

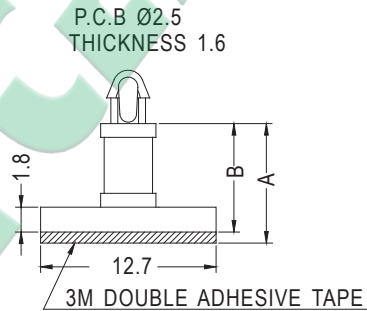


PART NO	A	PACKAGE
ASR-5	5.0	500
ASR-6	6.4	
ASR-7	7.0	
ASR-9	9.0	
ASR-11	10.8	
ASR-12.7	12.7	
ASR-15.9	15.9	
ASR-19.1	19.1	

PC SPACER SUPPORT

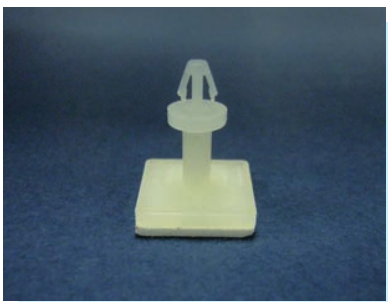


MATERIAL: NYLON 66 (UL)
 FLAME CLASS :94V-2
 COLOR:NATURAL
 UNIT:mm

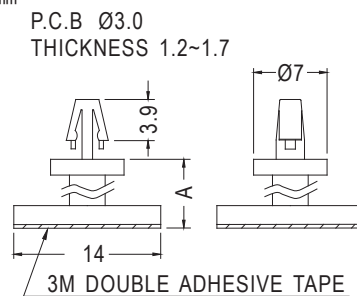


PART NO	A	B	PACKAGE
GSS-4.8	4.8	4.0	1000
GSS-6.4	6.4	5.6	
GSS-8	8.0	7.2	
GSS-9.5	9.5	8.7	
GSS-11.1	11.1	10.3	
GSS-12.7	12.7	11.9	
GSS-15.9	15.9	15.1	
GSS-19.1	19.1	18.3	

PC SPACER SUPPORT



MATERIAL: NYLON 66 (UL)
 FLAME CLASS :94V-2
 COLOR:NATURAL
 UNIT:mm



PART NO	A	PACKAGE
BSS-6	6.4	1000
BSS-9	8.8	
BSS-12	12.7	